

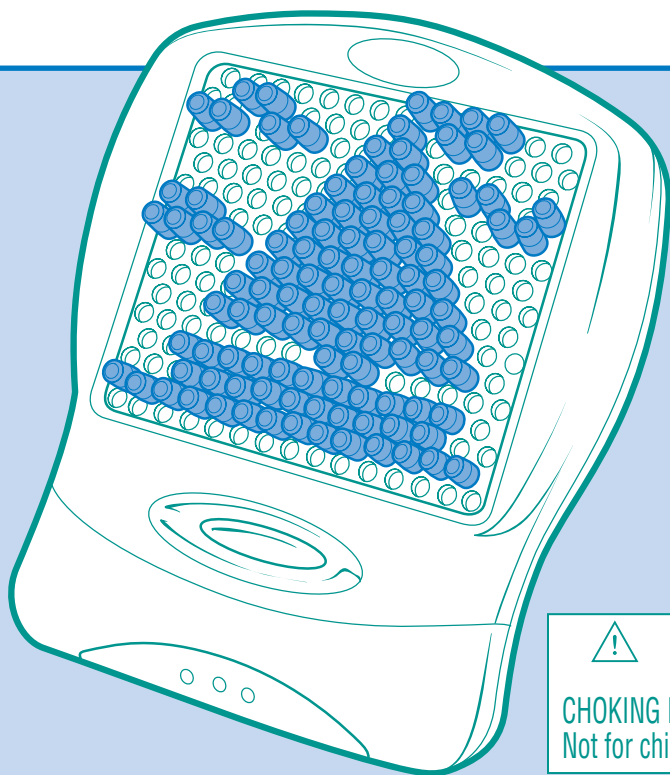
AGES 4+
0795I

TRAVEL

Lite Brite®

Thank you for purchasing this LITE-BRITE unit!

Requires 2 x 1.5V "C" or R14 size batteries (not included). Alkaline batteries recommended. Phillips/cross head screwdriver (not included) needed to insert batteries.

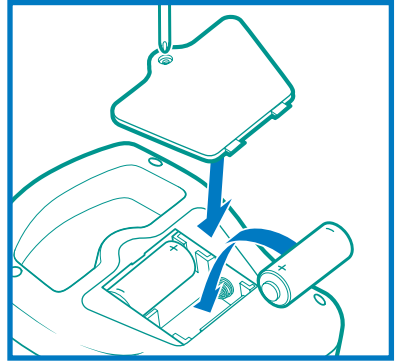


WARNING:

CHOKING HAZARD-Small parts.
Not for children under 4 years.

TO INSTALL BATTERIES

Using Phillips/cross head screwdriver, loosen screw in battery compartment cover (screw stays attached to cover). Remove cover. Insert 2 x 1.5V "C" or R14 size batteries. Alkaline batteries recommended. Replace cover and tighten screw.



CAUTION: TO AVOID BATTERY LEAKAGE

1. Be sure to insert the batteries correctly and always follow the toy and battery manufacturers' instructions;
2. Do not mix old batteries and new batteries or alkaline, standard (carbon-zinc) or rechargeable (nickel-cadmium) batteries;
3. Always remove weak or dead batteries from the product.

IMPORTANT: BATTERY INFORMATION

Please retain this information for future reference.

Batteries should be replaced by an adult.



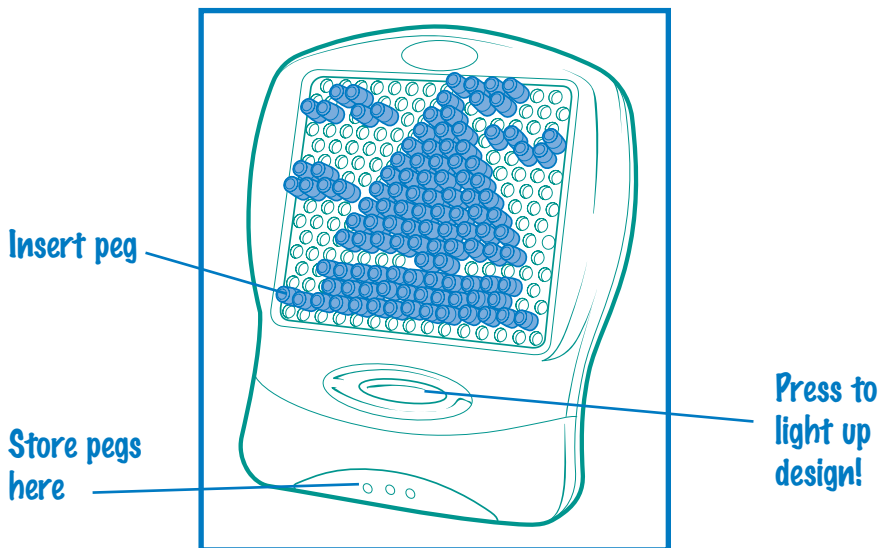
CAUTION:

1. Always follow the instructions carefully. Use only batteries specified and be sure to insert them correctly by matching the + and - polarity markings.
2. Do not mix old batteries and new batteries or standard (carbon-zinc) with alkaline batteries.
3. Remove exhausted or dead batteries from the product.
4. Remove batteries if product is not to be played with for a long time.
5. Do not short circuit the supply terminals.
6. Should this product cause, or be affected by, local electrical interference, move it away from other electrical equipment. Reset (switching off and back on again or removing and re-inserting batteries) if necessary.
7. RECHARGEABLE BATTERIES: Do not mix these with any other types of battery. Always remove from the product before recharging. Recharge batteries under adult supervision. DO NOT RECHARGE OTHER TYPES OF BATTERIES.

TO PLAY

This portable, fun-filled toy comes with 120 pegs to make all kinds of designs that light-up. All it takes is your imagination!

- Insert the pegs into the holes to make colorful designs. Be creative!
- Press the button at the bottom of toy to light-up your designs. The light will stay on for approximately 3 minutes each time you press the button, then turn off to conserve battery life.



TO CREATE A LITE-BRITE PICTURE

1. Place a picture sheet flat and straight against the screen. Insert 1 peg into each of the 4 corners of the sheet to hold the sheet in place.
2. To create a picture, follow the printed letters on the sheet to tell which colored pegs to use (see chart).
3. Insert the colored pegs through the paper and into the peg screen as far as they will go.
4. When you are finished pegging, press the button to make your creations shine!

Color Chart

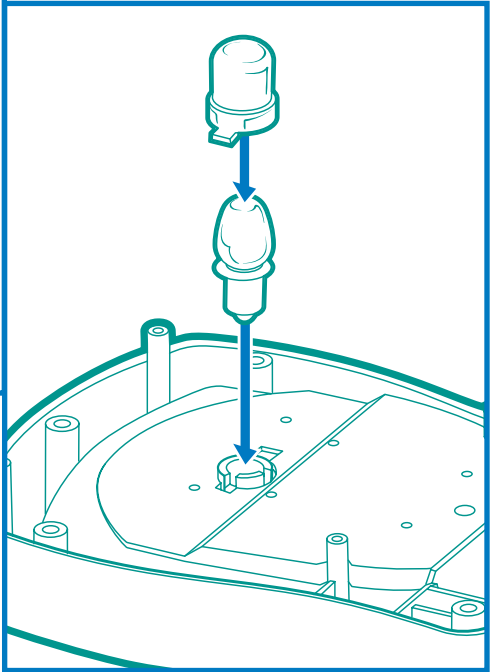
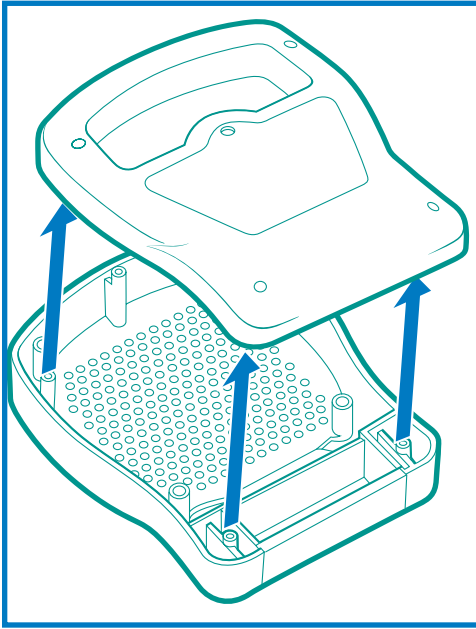
LETTER ON PICTURE	COLORED PEG TO USE
R	RED
B	BLUE
O	ORANGE
W	WHITE
G	GREEN
Y	YELLOW
P	PINK
V	VIOLET

NOTE: Light bulb will automatically turn off when not in use.

TO REPLACE THE LIGHT BULB

PR6 bulb required.

Use a Phillips screwdriver to loosen 4 screws in back panel. Remove back panel. Turn unit over, remove screw from bulb cover and remove cover. Pull out old light bulb and replace with a new PR6 bulb. Refasten bulb cover, tighten bulb cover screw, then tighten screws to secure back panel.



TO ORDER AND REPLACE LIGHT BULB

Order light bulb by contacting HASBRO at 1-800-327-8264 (Bulb is not available in stores.)